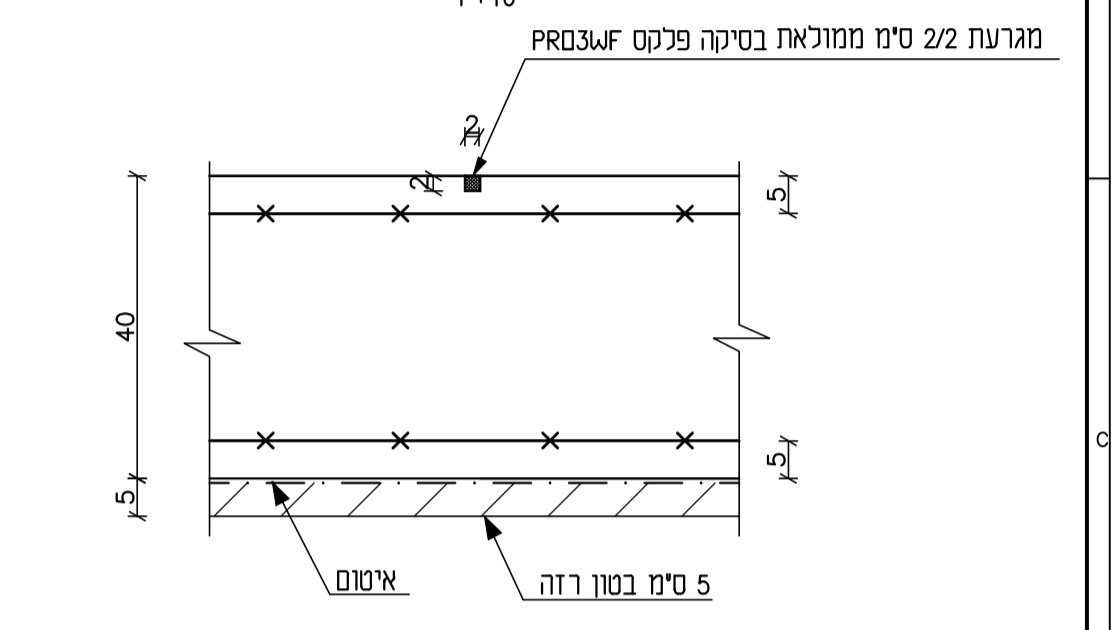


הערות

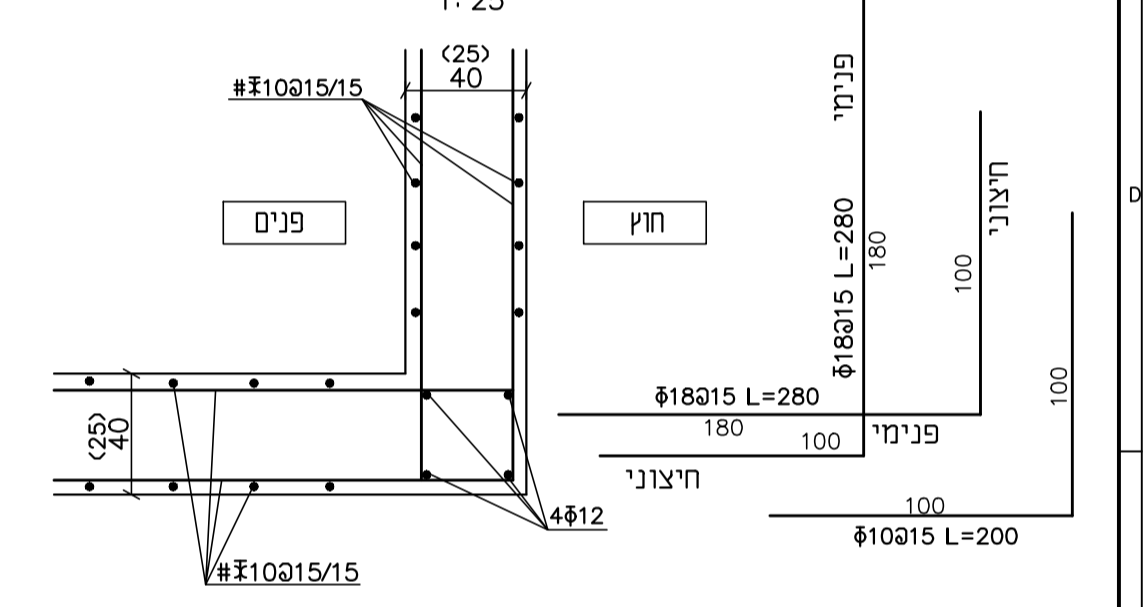
1. סוג הבטון ב-40, מתערובת מיוחדת מותאמת למבני מים לפי המפרט המיוחד.
2. הפלדה מצולעת מסוג פ-500 (φ) לפי ת"י 4466 חלק 3.
3. הרשתות המרוחקות (ס) לפי ת"י 4466 חלק 4.
4. חפיפות הרשתות 60 ס"מ לפחות. חפיפות בין ברזלים 65d לפחות.
5. עובי כיסוי בטון 5 ס"מ.
6. כל השרוולים והצינורות העוברים דרך הקירות והתקרה יבוצעו לפי תכניות DHV.

±0.00=68.98

פרט תפר 2

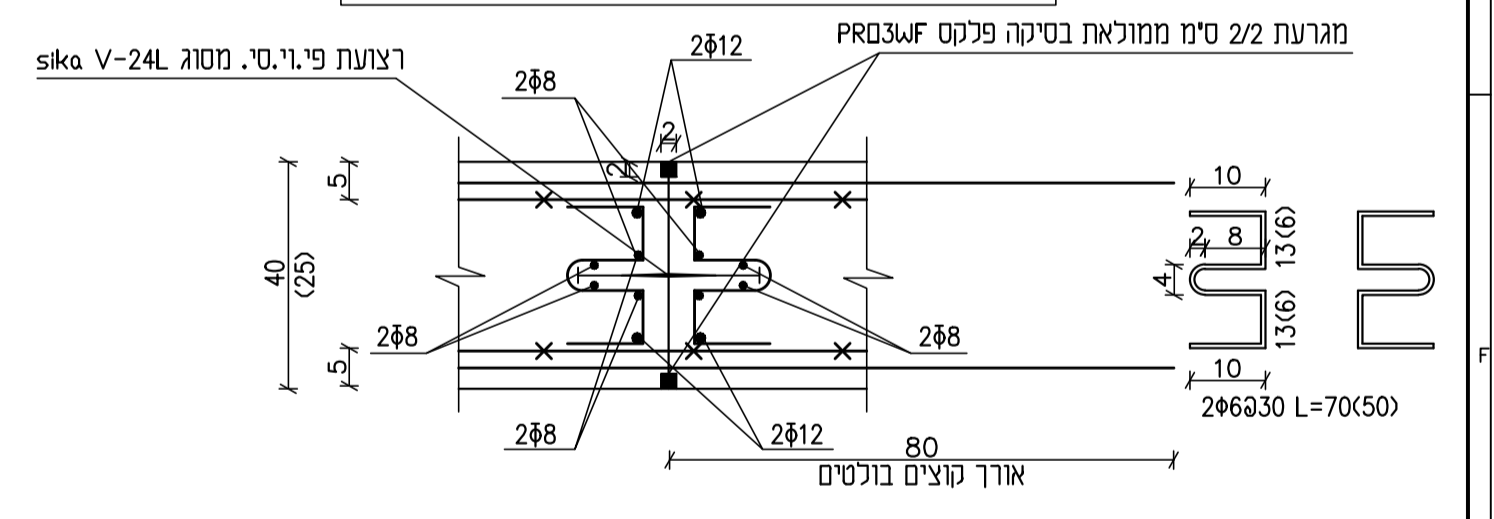


פרט פינה אופקי 1 (*1)

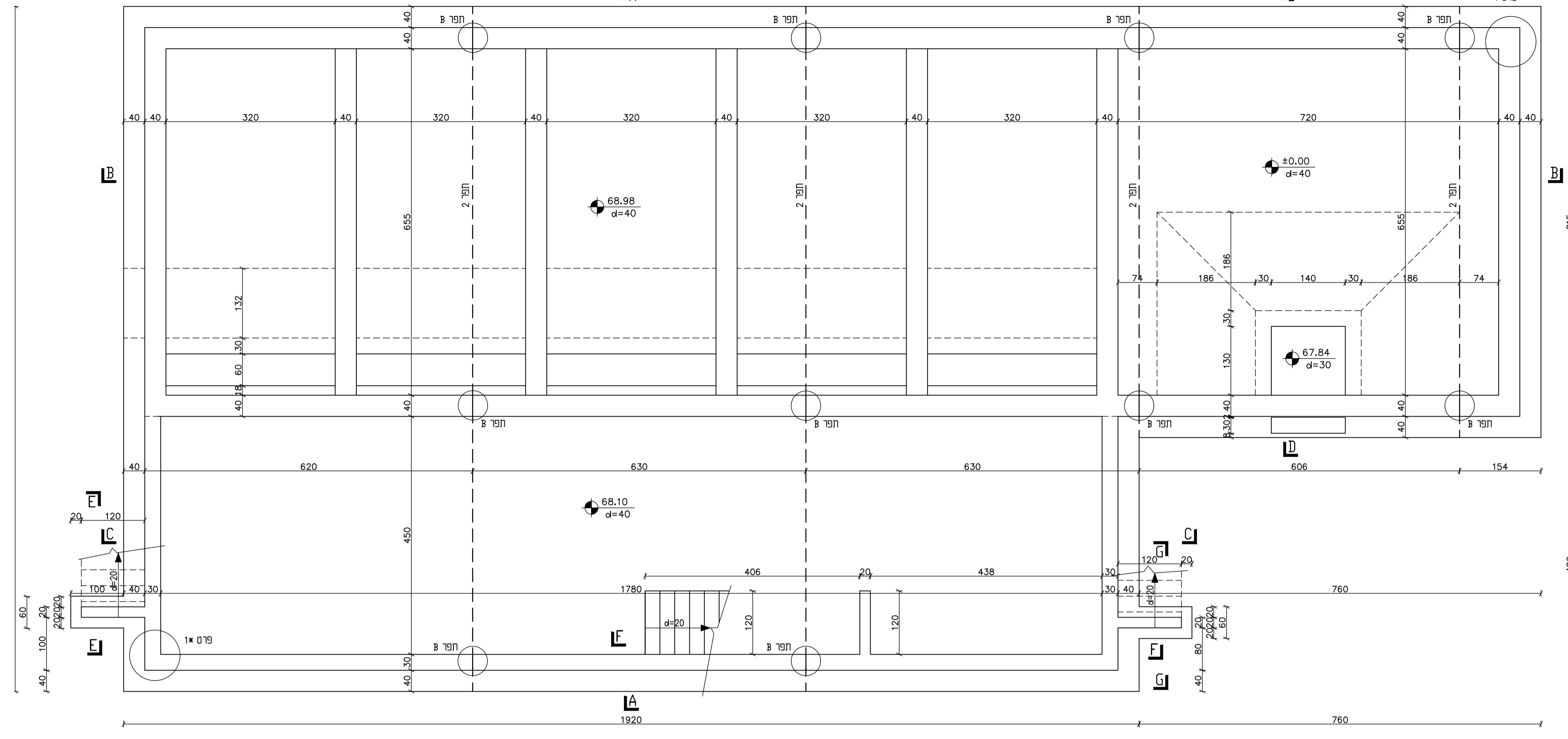


פרט תפר ב'

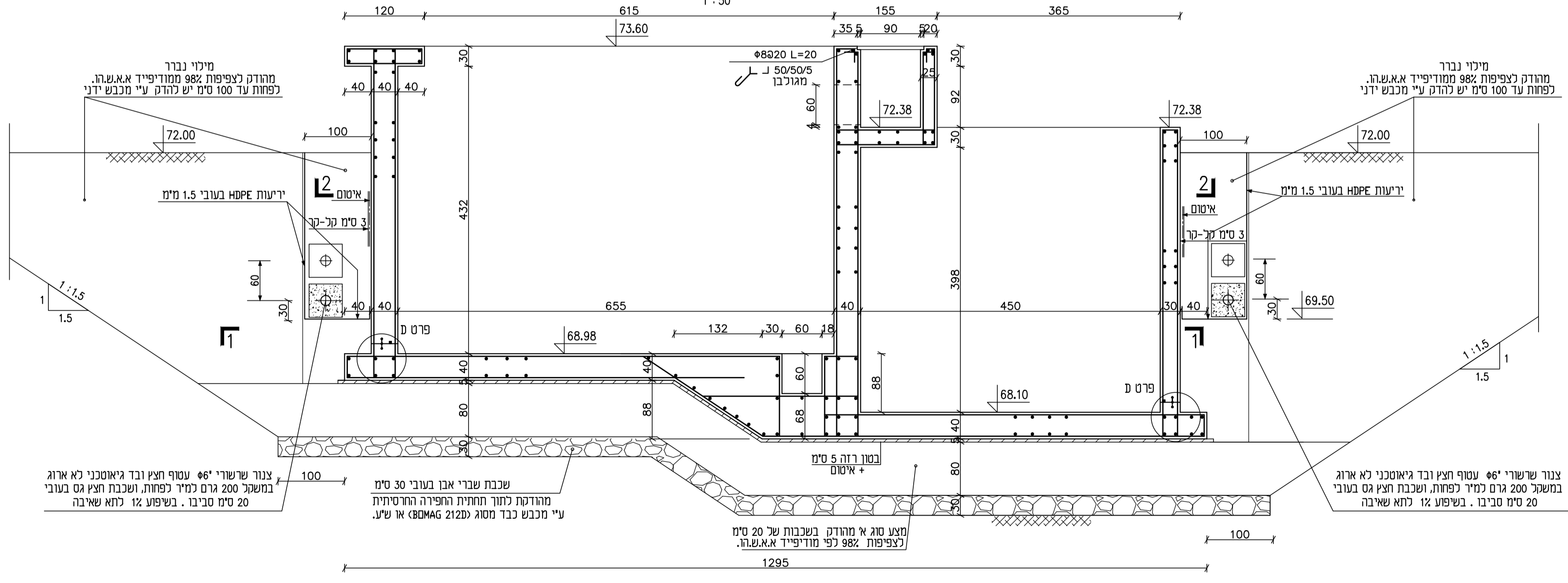
הערה: יש להקפיד על יוברציה מתחת, מעל ומצידי רצועת הפי. וי. סי. שתבוצע בזוויות מרובת



תכנית הרצפה
1:50
חתך 1-1



חתך A-A



0	27.07.21	ד.ש. מ.מ.	ד.ש. ד.ש.	למכרז
P2	29.07.20	ד.ש. מ.מ.	ד.ש. ד.ש.	לעיון
P1	17.06.20	ד.ש. מ.מ.	ד.ש. ד.ש.	עדכון לעיון
PO	11.06.20	ד.ש. מ.מ.	ד.ש. ד.ש.	לעיון
ס'	תאריך	תכנון	שרטוט	בסר
מס'	תאריך	תכנון	שרטוט	בסר

לעיון למכרז לביצוע מהדורה/שינוי

מט"ש קרית שמונה

שם התכנית: טיפול שלישי-מסנני חול

תכנית הרצפה, חתך A-A
פרטים



levels in : measures in: cm scale: 1:10 1:25 1:50	drawing size A1	project number 1135
file number 1135-35-06-001	drawing number 1135-35-06-001	

דוד שחם - הנדסת מבנים
רח' החרושת 7 רמת-השרון 47279
טל' 03-5479122, פקס' 03-5472792
E-mail shahm505@netvision.net.il

© DHV MED Ltd. All rights reserved. This drawing is the property of DHV MED Ltd. and is not to be used, copied, or reproduced in any form without the written permission of DHV MED Ltd. The user of this drawing is responsible for its use and for any errors or omissions. The user of this drawing is also responsible for obtaining all necessary permits and approvals from the relevant authorities. The user of this drawing is also responsible for ensuring that the design is in accordance with all applicable laws and regulations. The user of this drawing is also responsible for ensuring that the design is in accordance with all applicable standards and codes of practice. The user of this drawing is also responsible for ensuring that the design is in accordance with all applicable safety requirements. The user of this drawing is also responsible for ensuring that the design is in accordance with all applicable environmental requirements. The user of this drawing is also responsible for ensuring that the design is in accordance with all applicable social requirements. The user of this drawing is also responsible for ensuring that the design is in accordance with all applicable ethical requirements. The user of this drawing is also responsible for ensuring that the design is in accordance with all applicable legal requirements. The user of this drawing is also responsible for ensuring that the design is in accordance with all applicable moral requirements. The user of this drawing is also responsible for ensuring that the design is in accordance with all applicable religious requirements. The user of this drawing is also responsible for ensuring that the design is in accordance with all applicable cultural requirements. The user of this drawing is also responsible for ensuring that the design is in accordance with all applicable historical requirements. The user of this drawing is also responsible for ensuring that the design is in accordance with all applicable archaeological requirements. The user of this drawing is also responsible for ensuring that the design is in accordance with all applicable scientific requirements. The user of this drawing is also responsible for ensuring that the design is in accordance with all applicable technological requirements. The user of this drawing is also responsible for ensuring that the design is in accordance with all applicable artistic requirements. The user of this drawing is also responsible for ensuring that the design is in accordance with all applicable aesthetic requirements. The user of this drawing is also responsible for ensuring that the design is in accordance with all applicable functional requirements. The user of this drawing is also responsible for ensuring that the design is in accordance with all applicable performance requirements. The user of this drawing is also responsible for ensuring that the design is in accordance with all applicable quality requirements. The user of this drawing is also responsible for ensuring that the design is in accordance with all applicable reliability requirements. The user of this drawing is also responsible for ensuring that the design is in accordance with all applicable durability requirements. The user of this drawing is also responsible for ensuring that the design is in accordance with all applicable safety requirements. The user of this drawing is also responsible for ensuring that the design is in accordance with all applicable security requirements. The user of this drawing is also responsible for ensuring that the design is in accordance with all applicable privacy requirements. The user of this drawing is also responsible for ensuring that the design is in accordance with all applicable data protection requirements. The user of this drawing is also responsible for ensuring that the design is in accordance with all applicable intellectual property requirements. The user of this drawing is also responsible for ensuring that the design is in accordance with all applicable trademark requirements. The user of this drawing is also responsible for ensuring that the design is in accordance with all applicable patent requirements. The user of this drawing is also responsible for ensuring that the design is in accordance with all applicable copyright requirements. The user of this drawing is also responsible for ensuring that the design is in accordance with all applicable trademark requirements. The user of this drawing is also responsible for ensuring that the design is in accordance with all applicable patent requirements. The user of this drawing is also responsible for ensuring that the design is in accordance with all applicable copyright requirements.